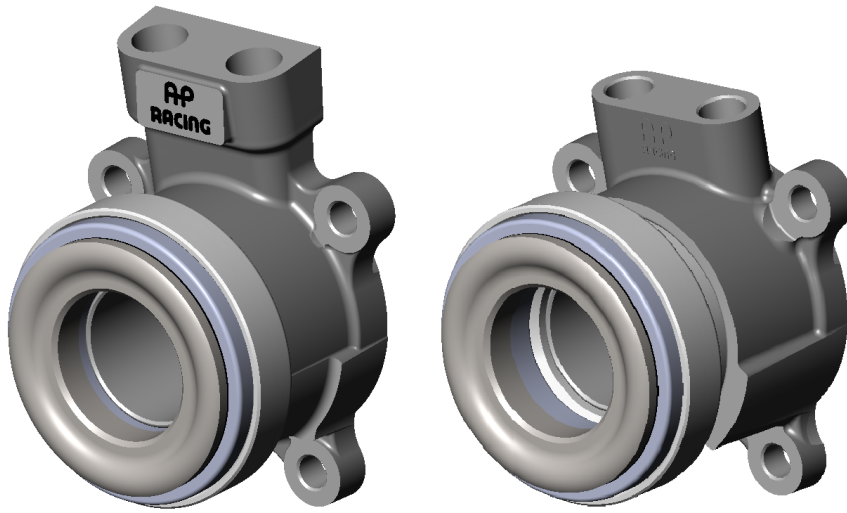
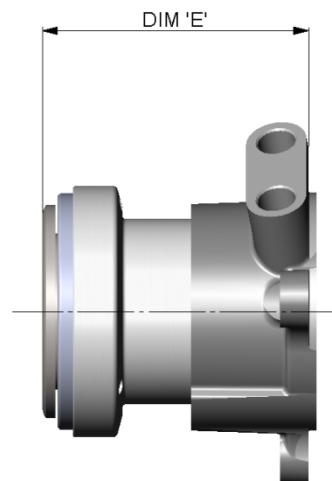
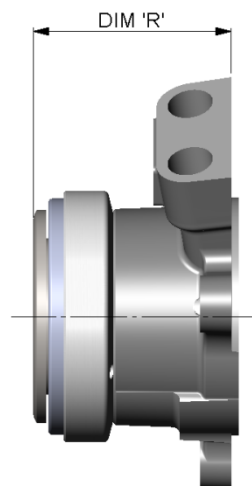
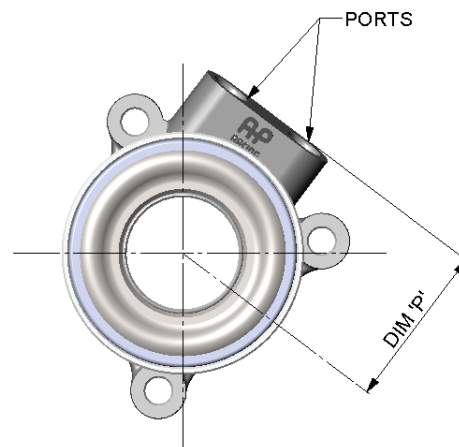
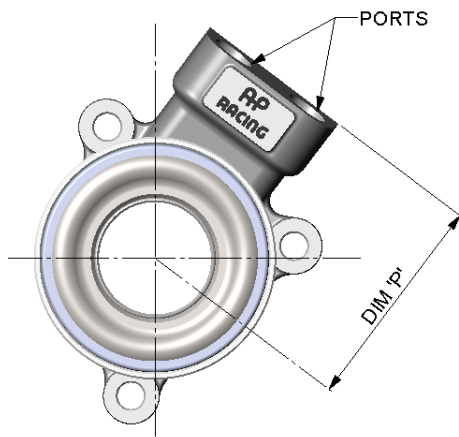


Product Update – CP6859 to replace CP3859 Concentric Push Type Slave Cylinder Assemblies



CP3859 Concentric Slave Cylinder Family

CP6859 Concentric Slave Cylinder Family



Comparison of Significant Features

Feature	CP3859	CP6859
Body Material	Aluminium Alloy - Die Cast	Aluminium Alloy - Forged
Ports	M12 x 1.00	M10 x 1.0
Boss Length (DIM 'P')	59.2 ± 0.25 mm	44.9 ± 0.25 mm
Weight	See Installation Drawing CP3859-1CD	Around 5% Reduction (Depending upon Type) – See Installation Drawing CP6859-1CD
Slave Fully Retracted (DIM 'R')	See Installation Drawing CP3859-1CD	<u>No Change</u> – See Installation Drawing CP6859-1CD
Slave Fully Retracted (DIM 'E')	See Installation Drawing CP3859-1CD	<u>No Change</u> – See Installation Drawing CP6859-1CD
Mounting Features	See Installation Drawing CP3859-1CD	<u>No Change</u> – See Installation Drawing CP6859-1CD
All other features are the same.		

All CP3859 variants will have a CP6859 equivalent.