



TECHNICAL DATA / FEATURES

- dimensions: $\phi 180, \phi 122$
- light functions: fog light, driving
- function markings: B, HR
- reference mark: -, 40, 25
- source of light: H3, XENON
- maximum power: 100W, 35W, 70W
- nominal voltage: 12V DC
- optics: standard
- IP rating: IP55
- housing's material: plastic, metal
- housing's colour: -
- lens' material: glass
- lens' colour: clear
- mounting: 3 bolts
- built-in connectors: -



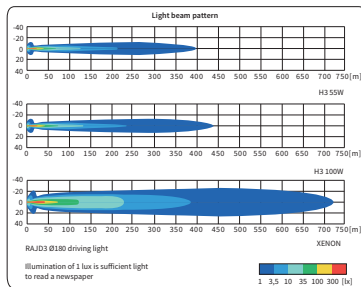
ADDITIONAL INFORMATION

Particularly recommended for rally cars.
Dedicated for installation in spoiler's recess.

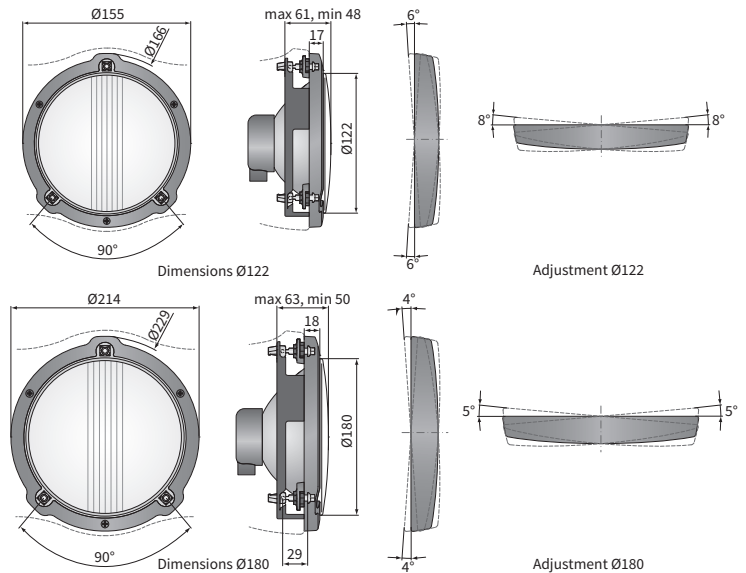
Replacement parts:

H3 bulb gasket - cat. No. 053.023.05.10

bulb H3 KSENON 12V/35W - cat. No. MP.1208



DIMENSIONS



Cat. number	Homologation code	Dimensions			Rated power			Light functions			Accessories					Connectors			Packaging / pc				
		$\phi 180$	$\phi 122$		100W	35W	70W	fog light	driving		bulb H3 12V	bulb XENON 12V	ballast	bulb gasket	frame	mounting plate	Side right	Side left	AMP Faston 250	Deutsch DT	AMP SuperSeal 1.5	Cap / Pin	carton box
RAJD3.46731	149	✓			✓			✓					✓	✓	✓	✓	✓	✓					1
RAJD3.46732	149	✓			✓			✓					✓	✓	✓	✓	✓	✓					1
RAJD3.46730	149	✓					✓	✓					✓	✓	✓	✓	✓	✓			✓	2	1
RAJD3.46711	151	✓			✓				✓				✓	✓	✓	✓	✓	✓					1
RAJD3.46712	151	✓			✓								✓	✓	✓	✓	✓	✓					1
RAJD3.46710	151	✓					✓	✓					✓	✓	✓	✓	✓	✓			✓	2	1
RAJD3.46721	046		✓				✓	✓					✓	✓	✓	✓	✓	✓					1
RAJD3.46722	046		✓				✓	✓					✓	✓	✓	✓	✓	✓					1
RAJD3.46720	046		✓				✓	✓					✓	✓	✓	✓	✓	✓			✓	2	1
RAJD3.46701	057		✓				✓	✓					✓	✓	✓	✓	✓	✓					1
RAJD3.46702	057		✓				✓	✓					✓	✓	✓	✓	✓	✓					1
RAJD3.46700	057		✓				✓	✓					✓	✓	✓	✓	✓	✓			✓	2	1