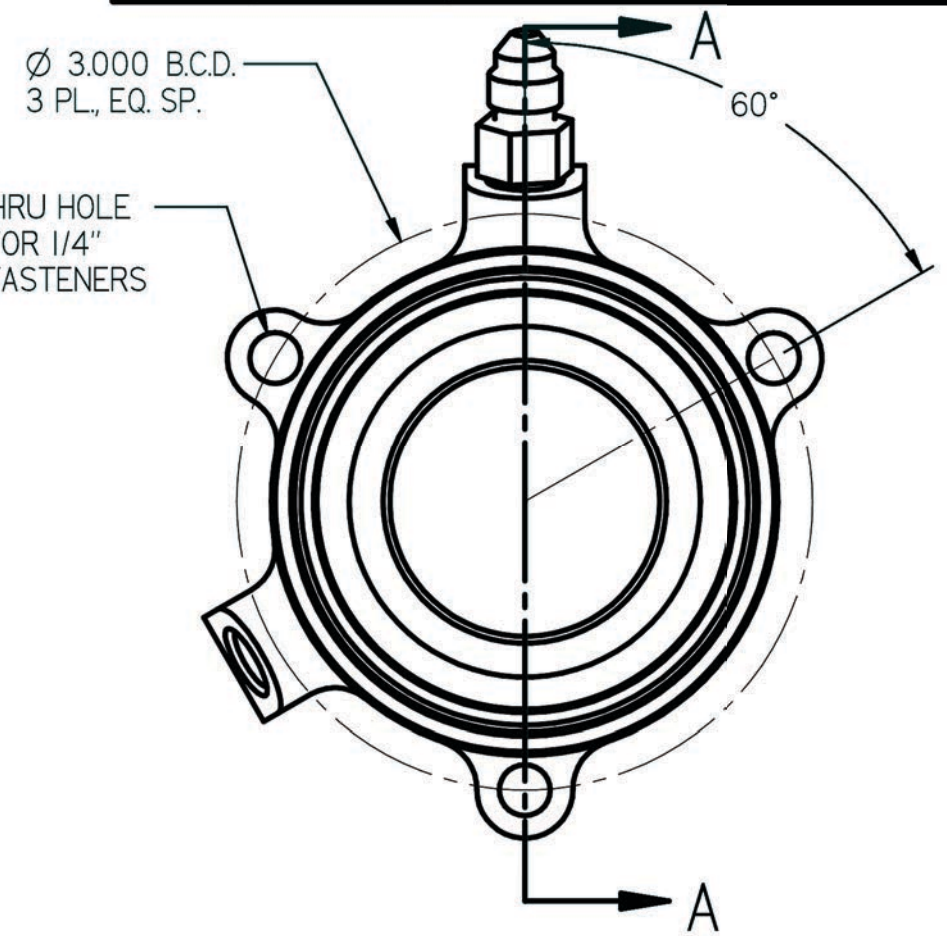
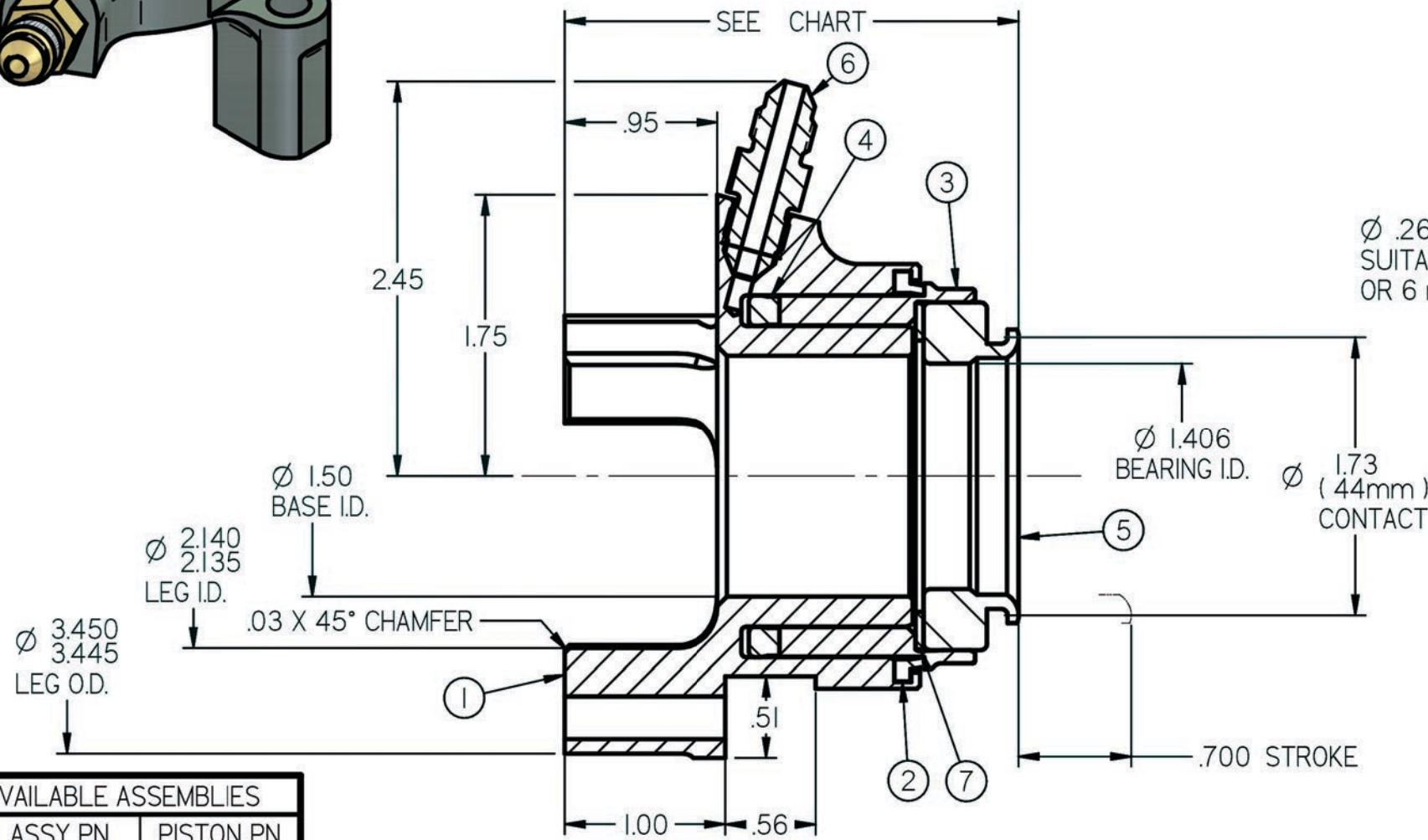


INSTALLATION NOTES:

1. USE ONLY WITH DOT-3 OR DOT-4 BRAKE FLUID.
2. NO INTERNAL TRAVEL LIMITER. MUST BE USED WITH CLUTCH PEDAL STOP.
3. SEAL REBUILD KIT = 62-905.
4. SEAL INSTALLATION TOOL = 96-002.
5. HYDRAULIC AREA = 1.215 SQ IN.
6. EITHER PORT MAY BE USED FOR FEED OR BLEED.
7. ORIENTATE BLEED PORT WITH 10 DEGREES OF TOP CENTER TO FACILITATE BLEEDING PROCESS.
8. UNIT IS SHIPPED WITH SHIM 62-903 (.050" THICK) INSTALLED UNDER THE BEARING WHICH MAY BE REMOVED FOR ADDITIONAL CLEARANCE.
9. BOTH PORTS 3/8-24 UNF X .28 THREAD DEPTH.

ITEM	PART NUMBER	DESCRIPTION	QTY
1	62-331	HYDRAULIC BASE	1
2	62-617	WIPER	1
3	SEE CHART	PISTON	1
4	62-614	HYDRAULIC SEAL	1
5	62-031	BEARING	1
6	73-820	FITTING, AN-3	2
7	62-903	SHIM	1

This document contains proprietary information of TILTON ENGINEERING, INC., and its receipt or possession does not convey the rights to reproduce, disclose its contents, or to manufacture, use or sell anything it may describe. Reproduction, disclosure, or use without specific written authorization of TILTON ENGINEERING, INC. is strictly forbidden.



HEIGHT	ASSY PN	PISTON PN
2.77"-2.82"	60-3200	62-6000
2.87"-2.92"	60-3210	62-6001
2.97"-3.02"	60-3220	62-6002
3.07"-3.12"	60-3230	62-6003
3.17"-3.22"	60-3240	62-6004
3.27"-3.32"	60-3250	62-6005
3.37"-3.42"	60-3260	62-6006
3.47"-3.52"	60-3270	62-6007
3.57"-3.62"	60-3280	62-6008
3.67"-3.72"	60-3290	62-6009

* HEIGHTS SHOWN IN CHART ARE WITH AND WITHOUT 62-903 SHIM

TILTON ENGINEERING, INC. FAX 805/688-2745
 25 EASY STREET, P.O. BOX 1787, BUELLTON, CA 93427 805/688-2353

TITLE: HYDRAULIC RELEASE BEARING ASSEMBLY
44mm RADIUS FACED BEARING, 3 LEG BASE

DRAWN BY WAHL	CHKD LUND	SCALE 1:1	SIZE B	DWG 5563	REV NC
P/N SEE CHART	DATE 03/16/2012	SHEET 1 OF 1			

